



- Checked and approved in accordance with Ex ec type of protection, so vapour tightness test is not applicable
- Stainless steel enclosure as standard for a long service life and safety even under harsh ambient conditions
- Extremely wide range of ambient temperatures – between -60 °C and +60 °C
- Robust design with IK10 and IP66
- Wide-range input with optional 100 V to 277 V
- DALI versions available for lighting control, monitoring and switching

E2

WebCode **6525C**



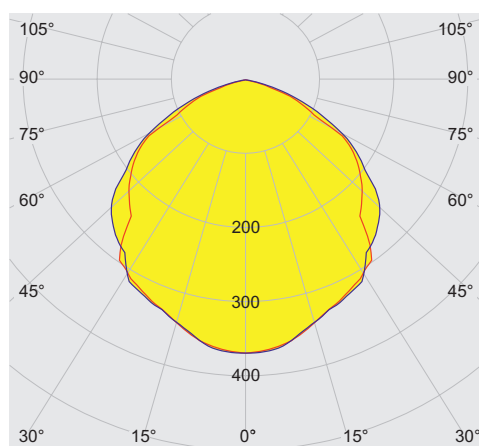
The revised generation of LED floodlights for Zone 2 now includes a version with Ex ec type of protection especially for the European market. This eliminates the time-consuming vapour tightness test. The wide-range input now also meets the electrical installation conditions for global use. With an optional DALI interface, the floodlight paves the way to a digital lighting solution. Its extremely low start-up current can also support existing installations, as the circuit breakers that are already installed do not need to be replaced.

| | IECEX / ATEX | | | | | |
|-----------------|--------------|---|---|----|----|----|
| Zone | 0 | 1 | 2 | 20 | 21 | 22 |
| Installation in | | | • | | • | • |

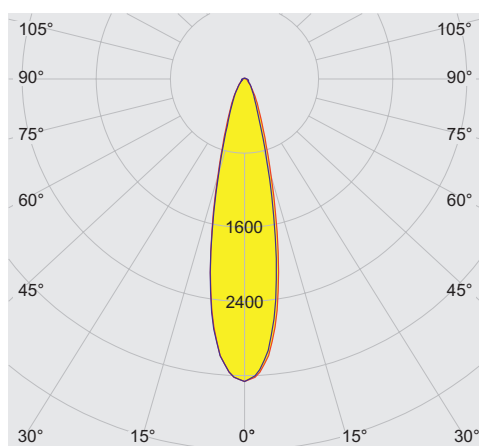
| Selection Table | | | | | | | | | |
|--------------------|--------------------|---|--------------------|---------------|----------------------------|----------------|-------------------------|----------|---------|
| Enclosure material | | Stainless steel 1.4301, Powder-coated Single-layer powder-coated | | | | | | | |
| Lamp wattage | Light distribution | Luminous flux | Luminaire efficacy | Drilled holes | Cable glands and entries | Stopping plugs | Product Type | Art. No. | Weight |
| 100 W | Wide beam | 10824 lm | 108 lm/W | 3 x M25 | CMP-25A2F 1 x M25 x 1.5 | 2 x M25 x 1.5 | 6525/2224-1501-6015-331 | 284537 | 16 kg |
| 160 W | Medium-beam | 15413 lm | 99 lm/W | 3 x M25 | CMP-25A2F 1 x M25 x 1.5 | 2 x M25 x 1.5 | 6525/2222-3501-6015-331 | 284539 | 15 kg |
| | Wide beam | 15550 lm | 100 lm/W | 3 x M25 | CMP-25A2F 1 x M25 x 1.5 | 2 x M25 x 1.5 | 6525/2224-3501-6015-331 | 284538 | 18 kg |
| 225 W | Narrow-beam | 21490 lm | 98 lm/W | 3 x M25 | CMP-25A2F 1 x M25 x 1.5 | 2 x M25 x 1.5 | 6525/2221-5501-6015-331 | 284551 | 18.5 kg |
| | Wide beam | 20909 lm | 95 lm/W | 3 x M25 | CMP-25A2F 1 x M25 x 1.5 | 2 x M25 x 1.5 | 6525/2224-5501-6015-331 | 284540 | 18.5 kg |
| Enclosure material | | Stainless steel 1.4404, Powder-coated Double powder-coated | | | | | | | |
| Lamp wattage | Light distribution | Luminous flux | Luminaire efficacy | Drilled holes | Cable glands and entries | Stopping plugs | Product Type | Art. No. | Weight |
| 100 W | Wide beam | 10824 lm | 108 lm/W | 3 x M25 | CMP-25A2F 1 x M25 x 1.5 | 2 x M25 x 1.5 | 6525/2224-1501-6015-242 | 282367 | 16 kg |
| 160 W | Medium-beam | 15413 lm | 99 lm/W | 3 x M25 | CMP-25A2F 1 x M25 x 1.5 | 2 x M25 x 1.5 | 6525/2222-3501-6015-242 | 282369 | 18 kg |
| | Wide beam | 15550 lm | 100 lm/W | 3 x M25 | CMP-25A2F 1 x M25 x 1.5 | 2 x M25 x 1.5 | 6525/2224-3501-6015-242 | 282368 | 18 kg |
| 225 W | Narrow-beam | 21490 lm | 98 lm/W | 3 x M25 | CMP-25A2F 1 x M25 x 1.5 | 2 x M25 x 1.5 | 6525/2221-5501-6015-242 | 282370 | 18.5 kg |
| | Wide beam | 20909 lm | 95 lm/W | 3 x M25 | CMP-25A2F 1 x M25 x 1.5 | 2 x M25 x 1.5 | 6525/2224-5501-6015-242 | 282377 | 18.5 kg |

| Technical Data | | | |
|---------------------------------|---|---|---|
| Variant | Floodlight LED 100 W | Floodlight LED 160 W | Floodlight LED 225 W |
| Explosion Protection | | | |
| IECEX gas explosion protection | Ex db ec IIC T4 Gc | Ex db ec IIC T4 Gc | Ex db ec IIC T4 Gc |
| IECEX dust explosion protection | Ex tb op is IIIC T100 °C Db | Ex tb op is IIIC T100 °C Db | Ex tb op is IIIC T100 °C Db |
| ATEX gas explosion protection | ⊕ II 3 G Ex db ec IIC T4 Gc | ⊕ II 3 G Ex db ec IIC T4 Gc | ⊕ II 3 G Ex db ec IIC T4 Gc |
| ATEX dust explosion protection | ⊕ II 2 D Ex tb op is IIIC T100 °C Db | ⊕ II 2 D Ex tb op is IIIC T100 °C Db | ⊕ II 2 D Ex tb op is IIIC T100 °C Db |
| Certificates | ATEX (BVIS), IECEx (BVIS), India (PESO) | ATEX (BVIS), IECEx (BVIS), India (PESO) | ATEX (BVIS), IECEx (BVIS), India (PESO) |
| Electrical Data | | | |
| Rated operational voltage AC | 110 – 277 V | 110 – 277 V | 110 – 277 V |
| Frequency range | 50 – 60 Hz | 50 – 60 Hz | 50 – 60 Hz |
| Ambient Conditions | | | |
| Ambient temperature | -50 °C ... +60 °C | -60 °C ... +60 °C | -60 °C ... +60 °C |
| Min. ambient temperature note | Energise above -40 °C | Energise above -40 °C | Energise above -40 °C |
| Storage temperature | -40 °C ... +75 °C | -40 °C ... +75 °C | -40 °C ... +75 °C |
| Lighting Data | | | |
| Lamp | LED | LED | LED |
| Colour rendering | ≥ 80 | ≥ 80 | ≥ 80 |
| Colour temperature | 5000 K | 5000 K | 5000 K |
| Mechanical Data | | | |
| Degree of protection (IP) | IP66 | IP66 | IP66 |
| Class | I | I | I |
| Sealing material | Silicone | Silicone | Silicone |
| Pane material | Reinforced glass | Reinforced glass | Reinforced glass |
| Max. solid connection terminals | 6 mm ² | 6 mm ² | 6 mm ² |
| Impact strength (IEC 62262) | IK10 | IK10 | IK10 |
| Fastening | With bracket, SS316L | With bracket, SS316L | With bracket, SS316L |

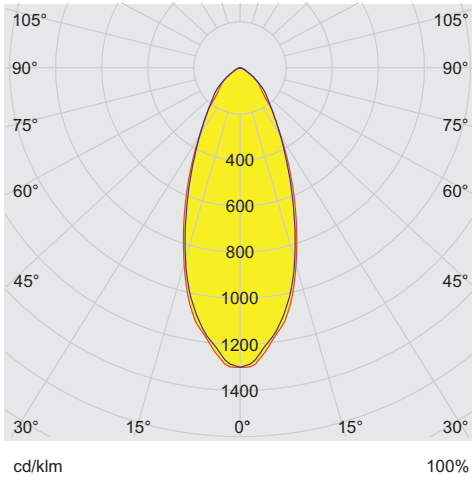
Light Distribution Curves – Subject to Alterations



cd/klm 100%
 — C0 - C180 — C90 - C270
 typ. broad beam



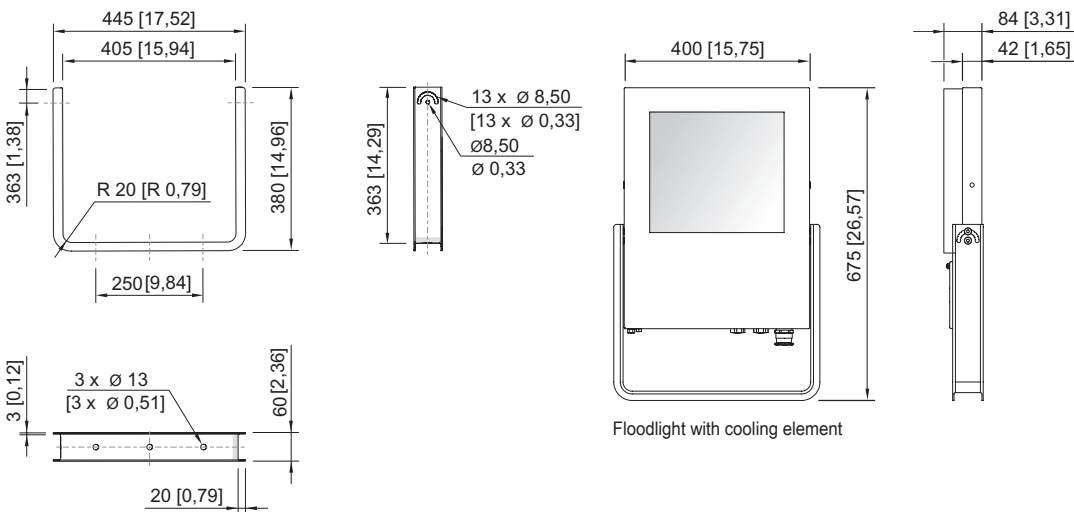
cd/klm 100%
 — C0 - C180 — C90 - C270
 typ. narrow beam



typ. medium beam

| Accessories | | | |
|-------------------------|---|----------|---------|
| Figure | Description | Art. No. | Weight |
| Mounting bracket | | | |
| | Stainless steel SS316L (1.4404 or V4A) without powder coating | 221589 | 3.13 kg |
| Mounting set | | | |
| | for pole mounting with pole diameter of 50 mm - stainless steel SS316L (1.4404 or V4A) without powder coating | 283361 | 5 kg |
| | for pole mounting with pole diameter of 60 mm - stainless steel SS316L (1.4404 or V4A) without powder coating | 263824 | 5 kg |

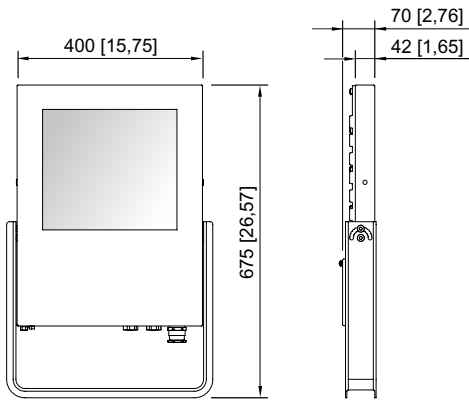
Dimensional Drawings (All Dimensions in mm [inches]) – Subject to Alterations



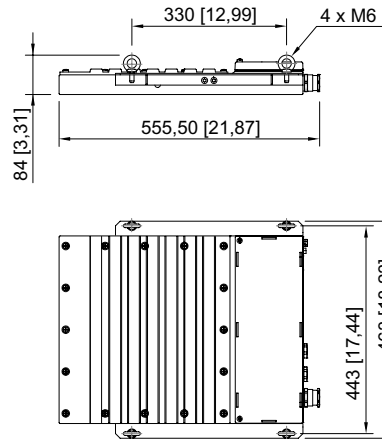
Mounting bracket

Floodlight with cooling element

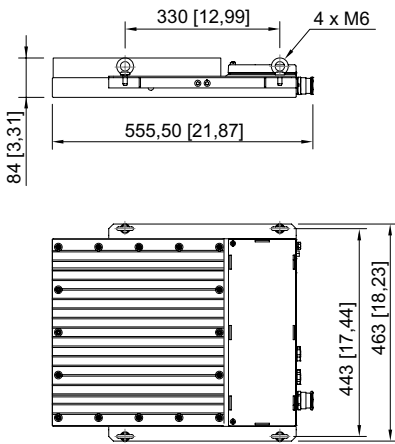
E2



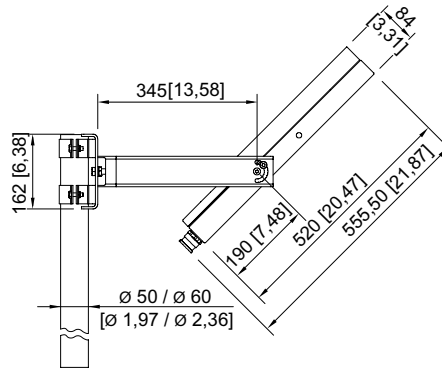
Floodlight without cooling element



Floodlight without cooling element, with ring eyes



Floodlight with cooling element, with ring eyes



Floodlight with pole mounting

