



- Different voltage ranges according to EN 60309
- Wide temperature range
- High mechanical impact and shock resistance
- Perfect protection against penetration of liquids and dusts
- Connection of industrial equipment for service work
- With sign "Do not switch on if there is an explosion hazard"
- 3D data for download on the website

MY R. STAHL 8570T



The R. STAHL 8570/51 series SolConeX repair sockets are used for repair work with non-Ex devices (according to IEC/EN 60309) in Zones 1, 2, 21 and 22. They offer full AC-3 switching capacity up to 16 A and can switch motors/pumps, etc. directly. The indicator lamps displaying the operating status and the large handle, which can be locked in the zero position to protect against unauthorised use, provide added safety.

	IECEX / ATEX					
Zone	0	1	2	20	21	22
Installation in		•	•		•	•

Selection Table								
Product Description	Maintenance socket 16 A No mechanical locking device With indicator lamp Maintenance socket							
Figure	Detailed number of poles	Coding (clock hour position)	Rated operational voltage	Colour code	Frequency range	Product Type	Art. No.	Weight
	2 P + PE	6	200 to 250 V AC	Blue	50 / 60 Hz	8570/51-306-S-01-0-XX-XXX	278833	-
		7	480 to 500 V AC	Black	50 / 60 Hz	8570/51-307-S-01-0-XX-XXX	296272	-
	3 P + N + PE	6	200/346 to 240/415 V AC	Red	50 / 60 Hz	8570/51-506-S-01-0-XX-XXX	278832	-
		7	277/480 to 288/500 V AC	Black	50 / 60 Hz	8570/51-507-S-01-0-XX-XXX	296271	-
	3 P + PE	6	380 to 415 V AC	Red	50 / 60 Hz	8570/51-406-S-01-0-XX-XXX	296273	-
		7	480 to 500 V AC	Black	50 / 60 Hz	8570/51-407-S-01-0-XX-XXX	296274	-

Technical Data	
Explosion Protection	
Scope of validity	European Union (ATEX) IECEX
IECEX gas explosion protection	Ex db eb IIC T6 Gb
IECEX dust explosion protection	Ex tb IIIC T73 °C Db
ATEX gas explosion protection	Ⓔ II 2 G Ex db eb IIC T6 Gb
ATEX dust explosion protection	Ⓔ II 2 D Ex tb IIIC T73 °C Db
Certificates	ATEX (PTB), IECEX (PTB)

Technical Data

Electrical Data

Rated operational current	16 A
Rated operational current note	Usable for up to 20 A depending on the connection cross-section
Utilisation category	AC-3: 500 V / 16 A AC-3: 500 V / 20 A DC-1: 110 V / 16 A
Switching capacity main contacts	4 kW: 200 to 250 V AC 7.5 kW: 380 to 500 V AC

Device Specific Data

Back-up fuse with thermal protection	35 A gG
Back-up fuse without thermal protection	16 A gG

Ambient Conditions

Ambient temperature	-50 °C ... +65 °C
Notes	For further information, see the operating instructions.

Mechanical Data

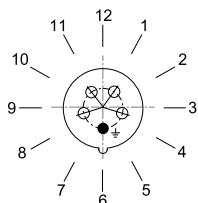
Degree of protection IP (IEC 60529)	IP66
IP degree of protection (IEC 60079)	IP64
Enclosure material	Polyamide, Glass fibre reinforced
Silicone-free	No
Solid connection cross-section	1 x 1.5 mm ² ... 2 x 6 mm ²
Finely stranded connection cross-section	1 x 1.5 mm ² ... 2 x 4 mm ²
Impact strength (IEC 60079)	7 J
Impact strength (IEC 62262)	IK10
Lockable in	in 0- and I-position

Components

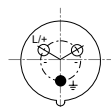
Cable entry note	Entry 1: Lower left Entry 2: Lower right
Entry 1 model	8161/7-M25-1707-LT
Entry 1 type	Polyamide cable gland
Entry 1	M25 x 1.5
Entry 1 terminal area	7 – 17 mm
Metal entry possible 1	No
Entry 2 model	8290/3-M25
Entry 2 type	Polyamide stopping plug
Entry 2	M25 x 1.5
Metal entry possible 2	No

Arrangement of earth contact sleeves

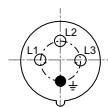
Time position
Example: 6h position



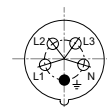
Arrangement of socket contacts and terminal markings



2 P + PE



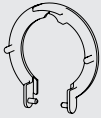
3 P + PE



3 P + N + PE

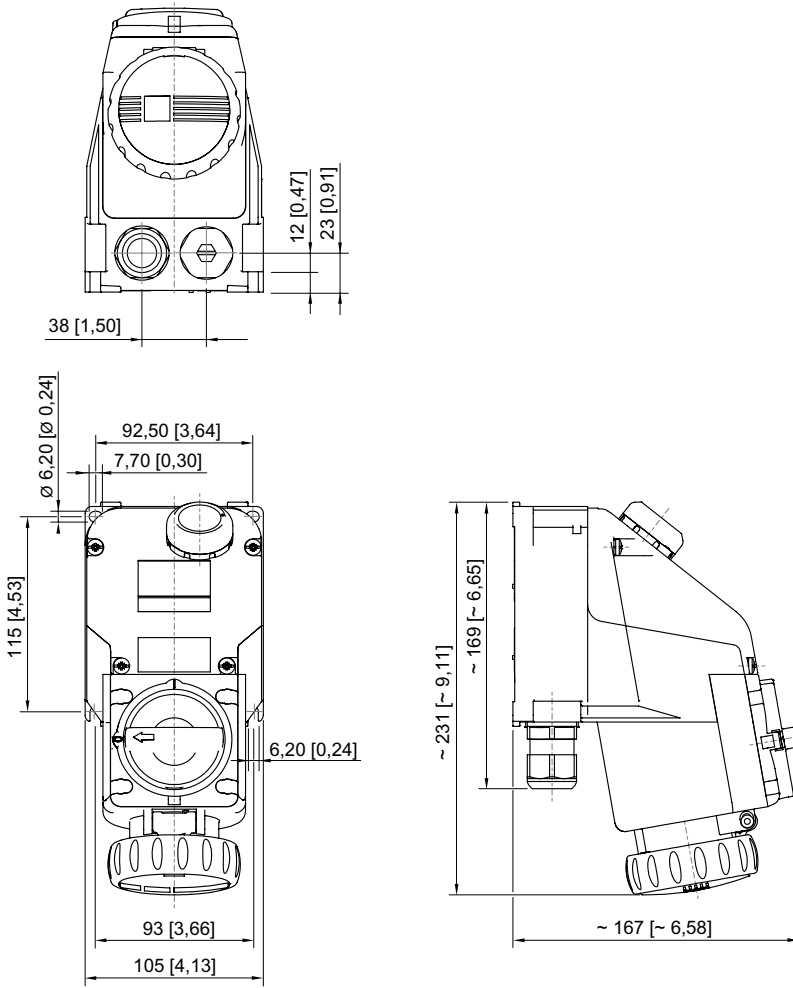
Arrangement of the socket contacts and terminal markings in the 6h position
(view from the front side of the socket to the socket contacts)

Accessories

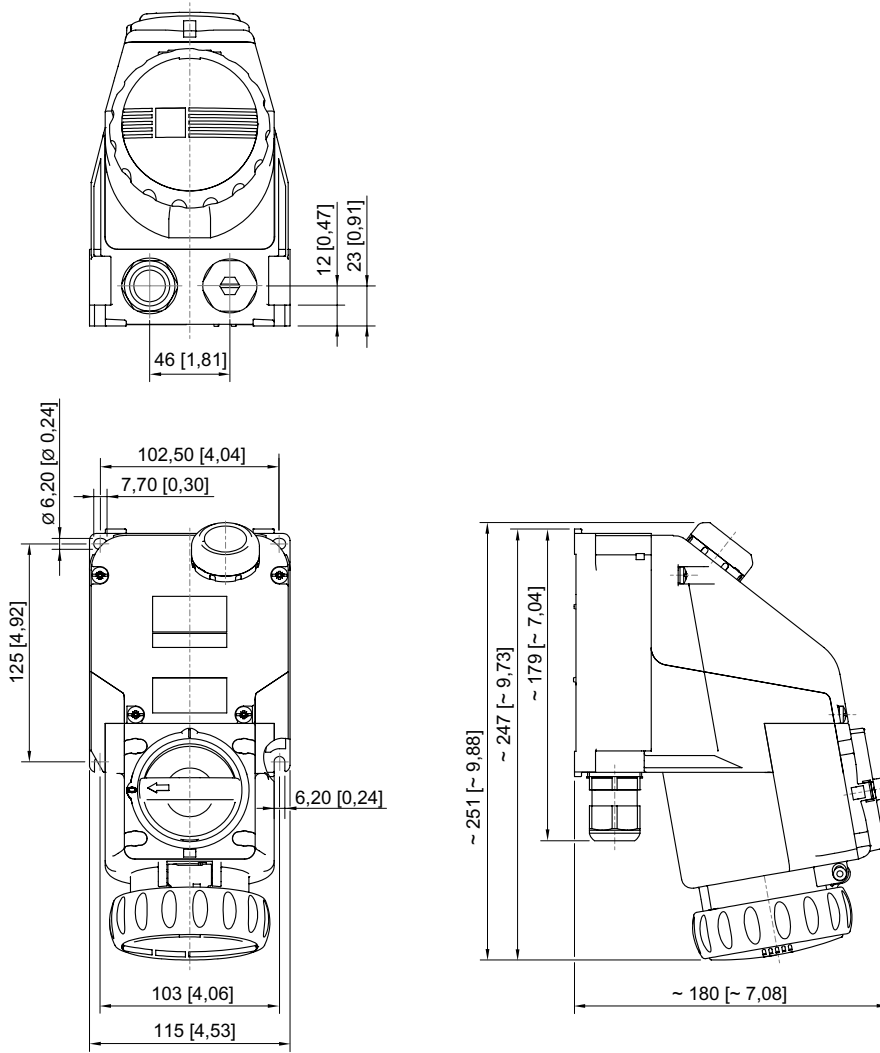
Figure	Description	Art. No.	Weight
Dust cover for sockets, series 8570			
	Retrofittable dust protection for 3-pole sockets	253118	6 g
	Retrofittable dust protection for 4-pole sockets	255003	8 g
	Retrofittable dust protection for 5-pole sockets	255004	8 g

Spare Parts

Figure	Description	Art. No.	Weight
Repair set for sockets series 8570			
	8570 3-pole hinged cover repair set, black	274119	95 g
	8570 3-pole hinged cover repair set, blue	274116	95 g
	8570 4-pole hinged cover repair set, black	274114	115 g
	8570 4-pole hinged cover repair set, red	274113	115 g
	8570 5-pole hinged cover repair set, black	274109	125 g
	8570 5-pole hinged cover repair set, red	274108	125 g



3-pole maintenance socket



4-pole/5-pole maintenance socket